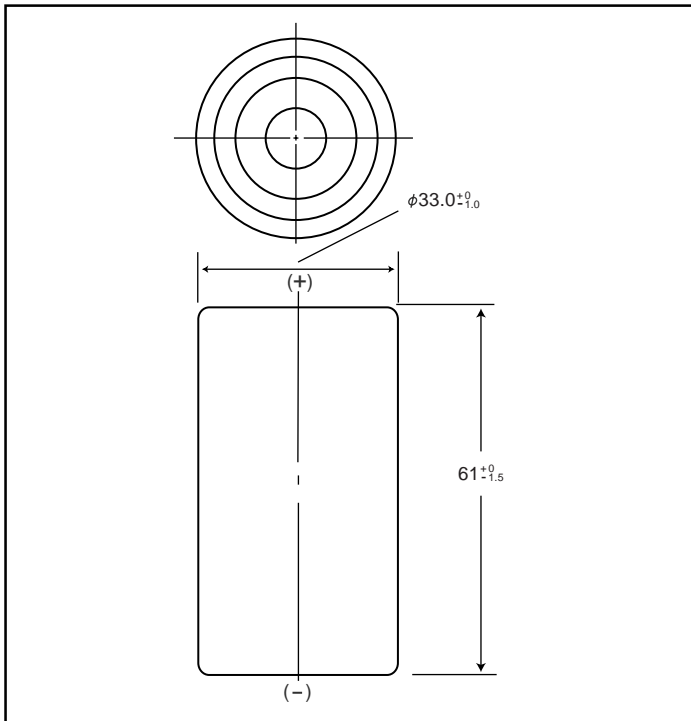


NICKEL METAL HYDRIDE BATTERIES: INDIVIDUAL DATA SHEET

HHR650D Cylindrical D size (HR 33/62)

Dimensions (with Tube) (mm)



Specifications

	mm	inch
Diameter	33.0+0/-0.1	1.3+0/-0.04
Height	61+0/-1.5	2.40+0/-0.08
Approximate Weight	Grams	Ounces
	170	6.0

Nominal Voltage		1.2V		
Discharge Capacity*	Average**	6800 mAh		
	Rated (Min.)	6500 mAh		
Approx. Internal impedance at 1000Hz at charged state.		2mΩ		
Charge	Standard	650mA (0.1It) x 16hrs.		
	Rapid	6500mA (1It) x 1.2 hrs.		
Ambient Temperature	Charge	Standard	°C	°F
			0°C to 45°C	32°F to 113°F
	Rapid	0°C to 40°C	32°F to 104°F	
		Discharge	-10°C to 65°C	14°F to 149°F
Storage	< 2 years	-20°C to 45°C	-4°F to 113°F	
	< 6 months	-20°C to 55°C	-4°F to 131°F	

* After charging at 0.1It for 16 hours, discharging at 0.2It.

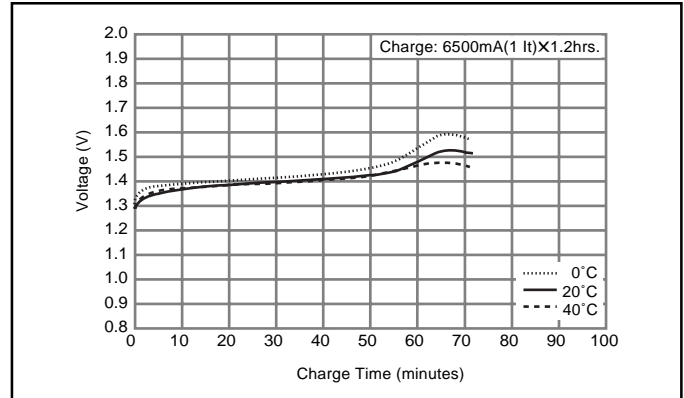
** For reference only.

Battery performance and cycle life are strongly affected by how they are used. In order to maximize battery safety, please consult Panasonic when determining charge / discharge specs, warning label contents and unit design.

Note: [It] was previously expressed as [C]. [It] is an IEC standard expression for the amount of charge or discharge current and is expressed as:
It(A) = Cn (Ah)/1h.

- [It] is the reference test current in amperes
- [Cn] is the rated capacity of the cell or battery in Ampere-hours.
- n = the time base [hours] for which the rated capacity is declared

Typical Charge Characteristics



Typical Discharge Characteristics

